



## MICHIGAN DUO

**Stainless steel drinker for two heads with constant level on a PEHD base.**

Made of two materials, stainless steel for the drinking area and foam-filled PEHD for the base, the MICHIGAN DUO drinker features all qualities of a top class drinker: sturdiness, food safety, cold resistance, comfort, cleanliness and ease of maintenance. Suitable for all herd sizes, it allows two animals to drink at the same time, in no time at all, without spillage, in all seasons.



"Hands dry", large drain protected from the cold by a double-walled cover.



Folded non-spill edge (Cross section)



### Sturdiness linked to food safety

- ▶ The stainless steel trough is at the same time sturdy and easy to clean. The stainless steel preserves the quality of the drinking water.
- ▶ The integrated non-spill edge limits the water loss.
- ▶ The foam-filled double-walled rotomoulded seamless polyethylene base reinforces the protection against animal impacts and offers a first protection from frost.
- ▶ The 5 fixing points ensure the stability and reliability of the drinker.

### Excellent resistance to the cold

- ▶ A double-walled PEHD cover protects the valve against the animals and the first cold.
- ▶ The water supply is equipped with a 3/4" swivel fitting with two entries to keep the lines frost-free by circulation (connected to a SPEED-FLOW circulation pump).
- ▶ An adhesive 175 W resistance (anti-freeze set) keeps the drinker frost-free.
- ▶ Combined with the 20 W heating element (anti-freeze set for valve), the STAINLESS STEEL + PE concept helps protect the drinker against frost.

### Quick water supply for high drinking comfort

- ▶ Large access to the water.
- ▶ Two animals can drink at the same time from a drinker with constant water level (adjustable water level).
- ▶ A 72 l/min high-flow valve operating at 3 bars (proven efficiency) supplies large herds with drinking water. The animals always have plenty of clean water.

### Easy cleaning

- ▶ The "hands dry" drain system with large diameter rubber plug guarantees quick and easy cleaning.
- ▶ The stainless steel trough is slanted for easier cleaning.
- ▶ The plug is not affected by frost

## Accessories

### Anti-freeze power set for the trough

1 heating element of 24 V / 175 W glued under the stainless steel trough. The foam-filled polyethylene base directs the heat to the stainless steel trough and provides proper insulation.

Set recommended for regions with high risk of frost



Ref. A-401 Power set of 24V/175W  
EAN13 3599150046381

### Anti-freeze power set for the valve

The **20 W heating element** to be placed inside the valve is recommended for:

- ▶ ocean climate with low risk of frost (offers sufficient protection against the first cold weather),
- ▶ regions with high risk of frost if combined with A-401 anti-freeze set. The heating element enhances the protection by keeping the valve frost-free.

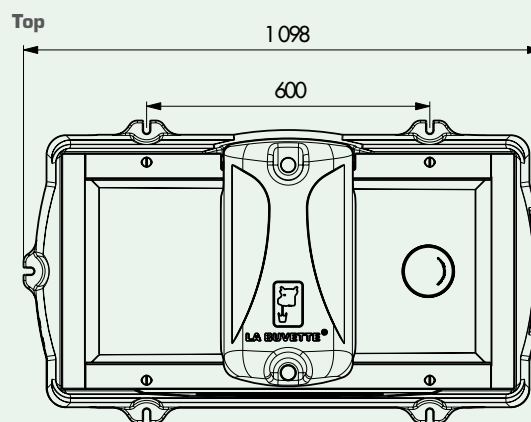
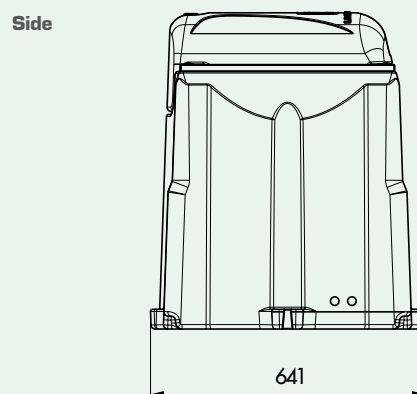
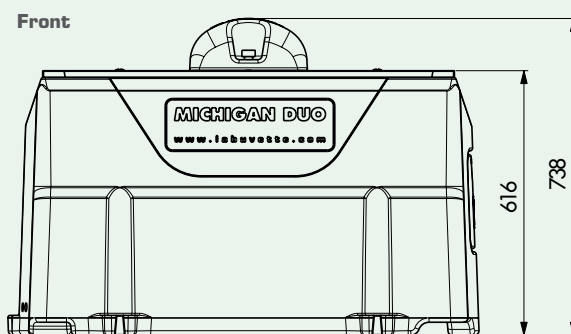


Ref. A-395 Heating element of 24 V/20 W

#### **Our advice**

The MICHIGAN DUO has to be installed on a concrete base.

## Dimensions



Visit our website: [www.labuvette.com](http://www.labuvette.com)

Rue Maurice Périn • Parc d'Activités Ardennes Émeraude • Tournes • F-08013 CHARLEVILLE-MÉZIÈRES Cedex

Tel.: +33 324 52 37 23 • Fax: +33 (0)3 24 52 37 24 • Email: [commercial@labuvette.com](mailto:commercial@labuvette.com)